

**Zion Lutheran Church  
Box 59  
Arcadia, IA 51430  
712-689-2441  
712-790-0716 (cell)**

***The Board of Elders meets monthly at the Church. Please feel free to contact any member of the Elder Board about any aspect of our ministry here at Zion.***

***Please feel free to contact any member of the Elder Board about any aspect of our ministry here at Zion.***

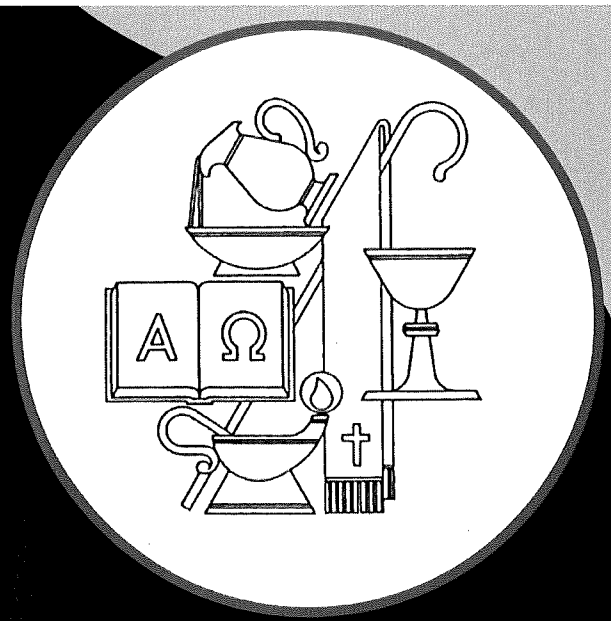
<b>Kurt Branning</b>	<b>Home 658-2734 Cell 712-830-2915</b>
<b>email:</b>	<b>kjbranning@gmail.com</b>
<b>Jeff Luetje</b>	<b>Home 663-4591 Cell 712-830-5826</b>
<b>email:</b>	<b>luetdaje@win-4-u.net</b>
<b>Ryan Middleton:</b>	<b>Cell: 712-830-3396</b>
<b>Randy Bruhn:</b>	<b>Home 775-2692 Cell: 712-790-2491</b>
<b>email:</b>	<b>mary@randysdiesel.com</b>
<b>Doug Ehlers</b>	<b>Home 663-4449 Cell: 712-830-0062</b>
<b>Email:</b>	<b>daehlers@westianet.net</b>
<b>Kyle Bass</b>	<b>Home                      Cell: 712-292-8830</b>

## **CHURCH COUNCIL**

<b>President:</b>	<b>Chris Toft</b>
<b>Vice President</b>	<b>Kevin Skinner</b>
<b>Secretary</b>	<b>Kathy Kraus</b>
<b>Treasurer</b>	<b>Mary Bruhn</b>
<b>Bd Evangelism</b>	<b>Shellie Lenz</b>
<b>Bd Education</b>	<b>Chad Wittrock</b>
<b>Bd Stewardship</b>	<b>Lajeane Shiney</b>
<b>Financial Sec.</b>	<b>Paulette Von Glan</b>
<b>Trustees:</b>	<b>Kyle Lenz, Dwight Ehlers, Curtis Ehlers</b>

THE INSTALLATION OF

# PASTOR ANDREW NOBLE

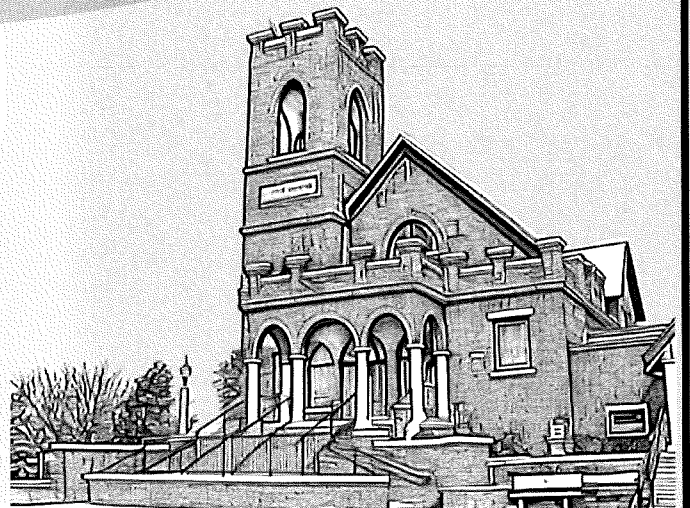
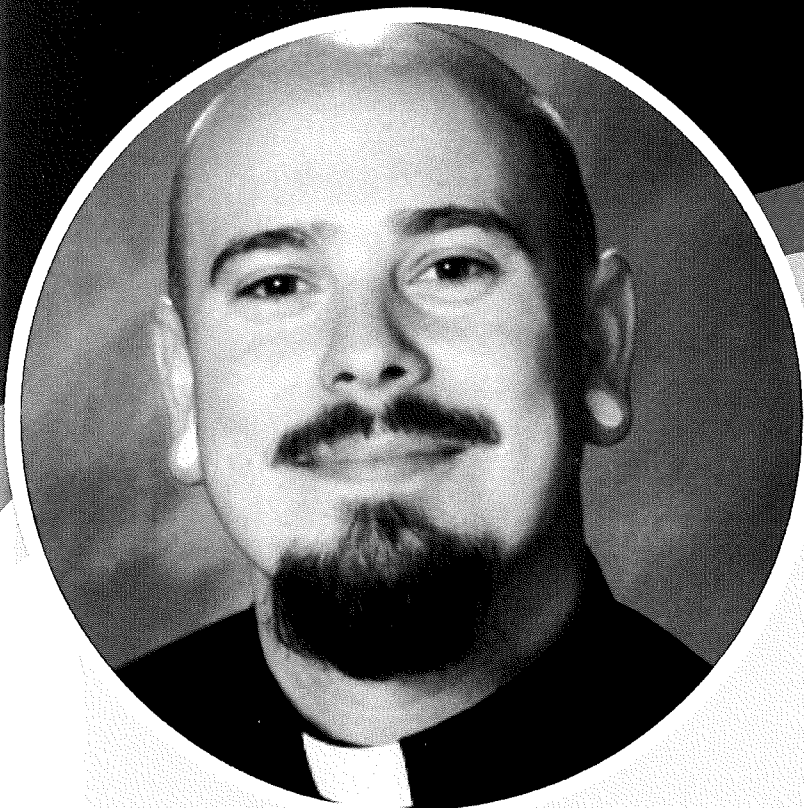


**Sunday, February 16 @ 4:00 p.m.**

Zion Lutheran Church, Arcadia, IA

Meal to follow (at Legion Hall)

All invited!



## EVENING CIRCLE

Will hold their meeting on Wednesday February 5th at 7 pm at the church.

### Sub Sandwich Sales

They LYF has been taking Sub Sandwich orders for Super bowl Sunday. They will make the sandwiches on Wednesday, February 5th. Remember they are great frozen for later use in addition to being served for Super bowl Sunday. Sandwiches are made with Roast Beef, Ham, turkey and 2 types of cheese or you can order Italian, peperoni, salami and provolone cheese. They are selling for \$5 Thank you for your support. It is appreciated.



### FREE SENIOR MEAL

**WHEN:** Tuesday, February 18 2025

**TIME** Meals will be delivered at noon

Contact one of the following to place your order

Deb @ Zion Lutheran Church 689-2441  
Diane Witt 689-2233

Sponsored by Zion Lutheran Evening Circle  
Thrivent Action Team/Project

Winter has settled into the Sunday School. Even though it is cold outside we have a lot of warm hearts inside due to the Good News of Jesus Christ being shared by our teachers and students.

Thank-you to everyone that helped with the Christmas Program, The children did an awesome job! We were worried some days but the kids and staff pulled it all together. Special thanks to the parents for making sure the kids were there

A BIG  
Thanks!

We would like to say thank you to all who helped get the parsonage ready for the arrival of Pastor Andy Noble and family. A special thanks to the Trustees and Al & Sandy Hunter for all the extra time and effort in preparing the parsonage. Again, thank you to EVERYONE!



# Ash Wednesday

Please be sure to join us on Wednesday, March 5th, for Ash Wednesday, as we begin our Lenten Journey. The theme this year is "The Hand of the Lord". Worship will begin at 6:30 pm.

# Lenten Schedule

March 05	6:30 pm Ash Wednesday/HC
March 12	6:30 pm Midweek Service
March 19	6:30 pm Midweek Service
March 26	6:30 pm Midweek Service
April 02	6:30 Midweek Service
April 09	6:30 Midweek Service
April 13	10:00 Palm Sunday/ Confirmation
April 17	6:30 Maunday Thursday/HC
April 18	6:30 Good Friday
April 20	7:00 Easter Service/HC

# LUTHERAN

# WITNESS

If you would like to renew or become a new subscriber to the Lutheran Witness, please contact the church office by Sunday, February 19th . The cost is \$28.25 for a year.



Work Hard,  
Do Your Best,  
Keep Your Word,  
Never Get Too Big For Your Britches,  
Trust In God  
And Never Forget a Friend

---

## PRESIDENT'S PAGE

The Rev. Dr. Steven Turner

Iowa District West, LCMS

[steve@iowadistrictwest.org](mailto:steve@iowadistrictwest.org) / 515-576-7666

---

Dear Friends in Christ,

The theme for the 42<sup>nd</sup> Convention of Iowa District West is from Psalm 145:4, “*One generation shall commend your works to another and shall declare your mighty acts.*” The congregations in Iowa District West are multigenerational churches. On any given Sunday, many of our congregations have at least four and more likely five generations represented in worship. Congregational leaders need to understand that they are not simply called to lead people of different ages, but to lead people who see and experience the world in different ways. A healthy transfer of leadership from one generation to another will require members to learn to appreciate the differences and distinctions that each generation brings to the church.

The description of leadership transition in the Bible often reveals that people did not randomly become leaders; they were formed to be leaders by those of an older generation. Thereafter these leaders were able to influence others around them and make a difference for eternity. God's plan of salvation involved people of faith who were willing to be God's instruments in guiding God's people. An example of this is the transition of leadership between Moses and Joshua. Moses trained and provided a successor as leader of the people of Israel. The leadership of Moses was transferred to Joshua, and he, not Moses, became the man God used to lead His people into the Promised Land.

The transfer of leadership from Moses to Joshua marks a pivotal moment in the history of the Israelites. This transition ensured a seamless change of power and a continuation of God's divine plan for His chosen people. When Moses realized he would need a successor, he asked God to provide one (Numbers 27:15-16). God directed him to Joshua, who He had already been preparing for the task. It is important to note that Moses did not choose his own successor. Joshua had already been given the Spirit of God when it was poured out at the selection of the 70 elders (Numbers 11:24f). **Moses spoke to the Lord, saying, “Let the Lord, the God of the spirits of all flesh, appoint a man over the congregation who shall go out before them and come in before them, who shall lead them out and bring them in, that the congregation of the Lord may not be as sheep that have no shepherd.” So the Lord said to Moses, “Take Joshua the son of Nun, a man in whom is the Spirit, and lay your hand on him. Make him stand before Eleazar the priest and all the congregation, and you shall commission him in their sight. You shall invest him with some of your authority, that all the congregation of the people of Israel may obey (Numbers 27:15-20 ESV).**

Just as God used the life experiences of Moses to prepare him to be the leader of the Israelites out of slavery, likewise, God used the events in Joshua's life to prepare him to lead the people into the Promised Land. Joshua had been an eyewitness to the gracious action of God in caring for the Israelites in the wilderness. Moses had been his mentor and had given him various leadership tasks to further his development and had taken Joshua with him as he went to meet the LORD (Exodus 24:12-13). Joshua

was chosen by Moses to be one of the 12 spies sent to spy on the land (Numbers 13:8). Out of the 12, only he and Caleb returned with a good report. Joshua and Caleb tore their clothing at the bad report given by the other 10 spies and urged the Israelites not to rebel in disobedience against the LORD (Numbers 14:6–9). Because of their faith in the LORD, only Caleb and Joshua were allowed to enter the Promised Land (Numbers 14:38).

The actual transfer of this leadership is recorded in Numbers 27:12-23 and paralleled in Deuteronomy 31:1-8. Moses was to transfer his leadership by the laying on of hands in front of the people and before the priest, Eleazar. The authority of Moses was not entirely transferred to Joshua. Some of Moses' authority was bound as much to his person as it was to his office. Joshua would be neither the lawgiver nor the absolute governor of Israel.

“He (Joshua) is to stand before Eleazar the priest, who will obtain decisions for him by inquiring of the Urim before the LORD. At his command he and the entire community of the Israelites will go out, and at his command they will come in” (Numbers 27:21 NIV).

The transfer of leadership was not merely a change of personnel but also a transfer of divine mandate. God assured Joshua of His unwavering support and promised to be with him throughout his journey. This divine assurance instilled confidence in Joshua and reassured the people that they were in capable hands. The transition from Moses to Joshua provides for us an example of a healthy transfer of leadership from one generation to another.

Your Partner in the Gospel,  
President Steve Turner



On a Mission  
to Support  
Christ's Mission!

February 2025

409 Kenyon Road, Suite B — Fort Dodge, Iowa 50501  
515-576-7666 Fax 515-576-2323 [www.idwlcms.org](http://www.idwlcms.org)  
Contact email: [sue@lowadistrictwest.org](mailto:sue@lowadistrictwest.org)



Jesus Christ is the Light of the World, the Light that no darkness can overcome. This is the joyful message of Epiphany. Christmas is the giving of the Gift. Epiphany is the “unwrapping” of the Gift. Epiphany tells us who this Jesus is and what He came to do. This Jesus welcomes sinners into His presence — not reluctantly or begrudgingly, but eagerly and joyfully.

But, what if there were no Jesus? What if all you had was the black magic that they practice in East Africa. What if all you had was Vishnu — one of the false gods of the Hindus (they worship thousands of gods). What if all you had was Gautama Buddha — the false god of the Buddhists, or the Voodoo witch doctors that are all over Latin America. What if all you had was Allah, the false god of the Muslims — a god of anger and retribution. Without Jesus, all these followers of false gods live in doubt and fear, hopelessness and despair.

We have Jesus! And there is “now no condemnation for those who are in Christ Jesus” (Romans 8:1). All the false religions and false gods of this world require that you sacrifice something for them, but Jesus sacrificed Himself on the cross for you, so that you could be His forever. That’s the difference! That’s the difference between Jesus and every other “god” in the world. And that is why we tell other people about Jesus! He brings Light and Life to all.

Rev. Steve Schulz, Pastoral Advisor & Assistant to the Director  
Mission Central  
[steve.schulz@lcmns.org](mailto:steve.schulz@lcmns.org)

#### **IOWA LUTHERAN SCHOOL TUITION ORGANIZATION (ILSTO)**

The Iowa Lutheran School Tuition Organization raised \$562,748 in 2024 that will be awarded for the next school year 2025-2026. With your help, we were able to raise 48% of our goal. Thank you for your support. Due to increases in enrollment, ILSTO will be able to raise \$1,189,816 in 2025. Let's make our goal in 2025! We need your assistance so that we can help many more families attend Iowa Lutheran schools. Make a donation to ILSTO and receive a 75% Iowa tax credit. School families are encouraged to file an ILSTO tuition assistance application as soon as they have filed their 2024 tax return. Call Dewey Torkelson at 712-260-2991 for more information.

#### **Lutheran Family Service—Gender Identity Project**

##### **Upcoming Schedule**

- February 11, 2025 — St. Paul's Lutheran Church & School, Sioux City
- February 11, 2025 — Iowa District West Sioux City Circuit Gathering, Redeemer Lutheran Church, Sioux City
- April 8, 2025 — Unity Ridge Lutheran School, Denison
- April 8, 2025 — Iowa District West Denison Circuit Gathering, Location to be determined

For more information, go to <https://lutheranfamilyservice.org/gender-identity/>

#### **The Art of Neighboring Workshop**

**Date:** February 8, 2025 — **Time:** 10:00 AM-12:00 PM

**Location:** Grace Lutheran Church, Le Mars, IA

Join us for an engaging workshop to build stronger, more meaningful connections with your neighbors!

**Who Should Attend:** Everyone is welcome, whether you're just beginning to connect with your community or are a seasoned pro.

**To Register** [click here](#)

Don't miss this opportunity to learn the art of neighboring and make your community a better place to live. We look forward to seeing you there!

#### **Calendar of Events**

February 8... The Art of Neighboring Workshop, Grace, Le Mars

#### **Future Event**

June 8-10, 2025... District Convention, Camp Okoboji

For more information on Iowa District West activities,  
view [The Messenger](http://www.idwlcms.org/publications.php) at [www.idwlcms.org/publications.php](http://www.idwlcms.org/publications.php)



# Update

**Registration  
is Now  
Open!**

Visit [campokoboji.org](http://campokoboji.org)  
to register for youth  
and family camps.

## **CAMP OKOBOJI SUMMER 2025**

### Discipleship Programs

May 30-June 1...Kids' Kamp  
June 5-8...JOY Camp #1  
June 22-26...Cub Week #1  
June 29-July 4...July 4 Family Retreat  
July 6-12...Junior High Week  
July 10-13...JOY Camp #2  
July 13-19...Cub Week #2  
July 20-26...Youth Week (High School)  
July 27-August 1...Family Retreat #1  
August 3-8...Family Retreat #2

### Other Events

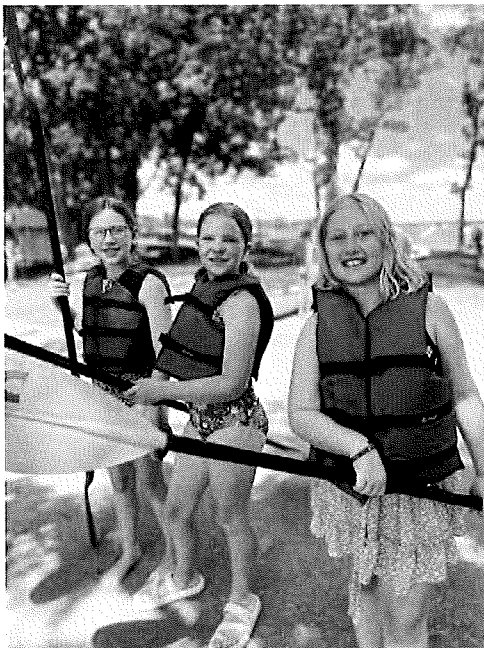
January 24-26...Family Ice Fishing Retreat  
May 2-4...Spring Volunteer Work Weekend  
June 8-10...Iowa District West Convention  
June 14...Camp Okoboji Auxiliary Quilt Auction  
June 15-21...Minneboji Lutheran Camp  
May 25-August 31...Sunday Worship  
1st Sundays of the Month (May-October)...Brunch  
October 10-11...Fall Volunteer Work Weekend

For more information and to  
register, visit  
[campokoboji.org](http://campokoboji.org)



## **Summer Staff Needed!**

Summer Staff recruitment continues! Please encourage youth within your congregations to consider serving as Summer Staff. Invite youth (at least 16 years of age) and college students to consider serving with us in 2025 for an unforgettable summer at the lake. Application profiles can be completed at [NLOMA.ORG](http://NLOMA.ORG).



### **NEEDS/WANTS:**

- Gas grills
- Outdoor Rocking Chairs
- Laundry soap, bleach and hand soap
- Queen size mattress pads
- New commercial grade vacuums, coffee pots, toasters, crock pots
- Thrivent Action Team Cards (contact Kellie Jones for potential projects; 712-337-3325)
- Also, ask us about our Amazon Wish List!



## Refocus for Lent

Give up complaining — focus on gratitude.  
Give up harsh judgments — think kind thoughts.  
Give up worry — trust God to provide.  
Give up discouragement — be full of hope.  
Give up bitterness — turn to forgiveness.  
Give up hatred — return good for evil.  
Give up anger — be more patient.  
Give up pettiness — become mature.  
Give up jealousy — pray for trust.  
Give up gossiping — control your tongue.  
Give up sin — turn to virtue.  
Give up giving up — persevere.

—Author unknown

## Mealtime as a family

Amid busy and varied schedules, many families find a way to sit down together for dinner regularly. Family-health advocates describe the benefits: an increased sense of unity, children sharing news and feeling listened to, and the physical perks of a planned, seated meal.


In Scripture, many great encounters between people and God happen around meals. Abraham and Sarah prepare a meal for three guests who turn out to be angels (Genesis 18). God instructs the Hebrew slaves to eat a special meal together before their delivery from Egypt (Exodus 12); every year since, Jews have celebrated the Passover feast. Elijah is strengthened with food served by an angel (1 Kings 19). Jesus shares meals not only with religious leaders but with “sinners” (e.g., Matthew 9). Jesus’ Last Supper with his disciples before his death has become one of the church’s sacraments and a “foretaste” of the heavenly banquet to come.

When Christian families eat together, it’s a holy time in God’s presence, just as when the church shares Holy Communion — a true fellowship dinner!

## “Teach us to love”

O God, perfect us in love,  
That we may conquer all selfishness and hatred of others;  
Fill our hearts with thy joy,  
And shed abroad in them thy peace which passeth understanding;  
That so those murmurings and disputings  
To which we are too prone may be overcome.  
Make us long-suffering and gentle,  
And thus subdue our hastiness and angry tempers,  
And grant that we may bring forth the blessed fruits of the Spirit,  
To thy praise and glory, through Jesus Christ our Lord. Amen.

—Rev. Henry Alford (1810-1871)

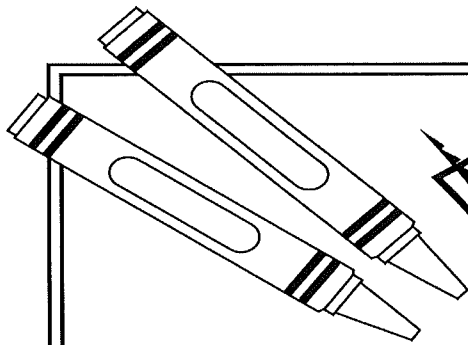


# FEBRUARY

*Birthdays and Anniversaries*

SUNDAY	MONDAY	TUESDAY	WEDNESDAY	THURSDAY	FRIDAY	SATURDAY
						<b>1</b> Ryker Mohr Camille Mumm Greg & Rebecca Golson
<b>2</b>	<b>3</b> Denise Ragaller Kendyl Riesberg Grant Wilken	<b>4</b> Olivia Mau	<b>5</b> Paulette Von Glan	<b>6</b>	<b>7</b> Hannah Kraus Nolan Vetter	<b>8</b>
<b>9</b> Donna Schurke	<b>10</b> Dane Dirks Mary Lou Kraus	<b>11</b> Marilyn Mumm	<b>12</b>	<b>13</b> Al & Sandy Hunter	<b>14</b> Trama Vetter Jacob Witrock Dave & Lou Letting	<b>15</b> Emmett Sterk Dylan Vetter Jim & Patty Vetter
<b>16</b> Myles Bruch Ryan Middleton	<b>17</b> Brandon Himmers Lacey Middleton Ann Whittaker	<b>18</b> Wyatt Ragaller	<b>19</b> Tyler Middleton Emily Witt	<b>20</b> Jane Hage	<b>21</b> Lettie Hage	<b>22</b> Mary Erps Brian Hausman Raelyn Peterson
<b>23</b> Elise Luptole Tyler & Chelsey Ehlers	<b>24</b> Janice Wilken	<b>25</b> Doug Kuhl Tony Mumm Gavin Thiedeman	<b>26</b>	<b>27</b>	<b>28</b> Heather Erps Emily Gallagher Easton Weier Randy & Mary Bruhn	



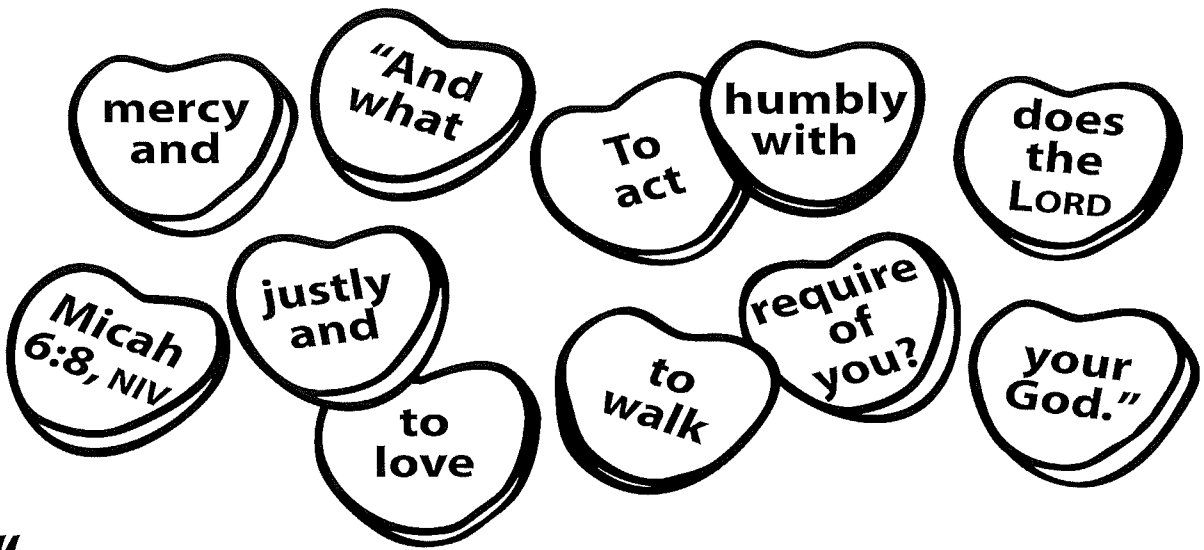


# PUZZLE

## Conversation hearts

The world encourages people to look out for themselves and seek success, but in Micah 6:8, God tells us to live differently.

*Directions: Put the conversation hearts in the correct order by writing the words on the lines below. Hint: Capitalization and quotation marks are included.*



“

\_\_\_\_\_

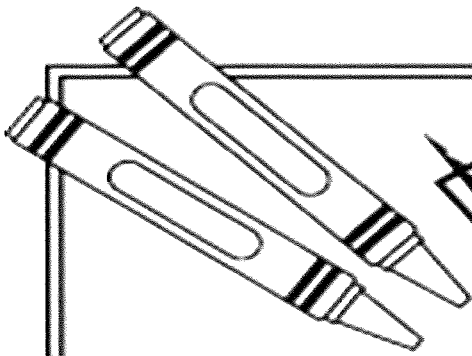
\_\_\_\_\_ ? \_\_\_\_\_

\_\_\_\_\_

\_\_\_\_\_

\_\_\_\_\_ ” \_\_\_\_\_ 6:8 , \_\_\_\_\_

Answer: "And what does the LORD require of you? To act justly and to love mercy and to walk humbly with your God." Micah 6:8, NIV



# PUZZLE

## A NEW COMMANDMENT

In John 13:34, Jesus offers important instructions for his followers.

*Directions: Figure out the pattern in each vertical line of letters. Then add the next letter in the sequence to the blank underneath, completing John 13:14, NIV.*

ABCDEFGHIJKLMNOPQRSTUVWXYZABCD...

F	L	S	Y	F	K	Y	X	E	I	Q	B	V	O	O	J	F
H	M	T	A	I	L	A	Y	H	K	R	D	Y	P	S	M	G
J	N	U	C	L	M	C	Z	K	M	S	F	B	Q	W	P	H

-----

E	X	M	B	C	L	M	B	U	V	F	R	P	L	V	F	R
F	Y	P	C	F	M	P	C	X	W	I	S	Q	M	W	I	S
G	Z	S	D	I	N	S	D	A	X	L	T	R	N	X	L	T

-----

A	R	J	Q	C	C	S	B	F	K	Y	X	H	L	Q	B	Y	I
E	S	M	R	F	G	T	C	I	L	A	Y	J	M	R	D	A	L
I	T	P	S	I	K	U	D	L	M	C	Z	L	N	S	F	C	O

-----

JOHN 13:34, NIV

Answer: "Love one another. As I have loved you, so you must love one another." John 13:34, NIV

## JESUS, MY SPECIAL FRIEND

When the troubles of this world crowd my  
mind, I turn to Jesus every time  
I tell Him all that in my heart  
So he can do his work of art  
On my thoughts, my fears and doubts  
He dries my tears and drives evil out  
He has never told a secret yet  
An He understands me you can bet

He treats me go gentle and so kind and  
Holds me close to Him at times  
Sometimes I can almost hear him whis-  
per "I love you, please don't cry" He gives  
me strength to carry on  
When I have thought and cried till dawn  
He is the very best kind of friend  
On Him I can always depend

He is never to busy to listen to me and  
He fills my heavy heart with glee  
I hope I can be the kind of friend to Him  
as He has always been to me

*Kay Harrison*



*Jesus*  
*Our True Friend*



*"A friend loves*  
AT ALL TIMES."

PROVERBS 17:17, NRSV

## A Friend in Jesus"

Who could I turn to?  
There's no one, but you,  
My Savior who loves me,  
Guides me each day through.

My Savior, who's there,  
When I need a friend,  
Always ready and able,  
For my problems, to tend.

My Savior, who's there,  
When I'm down sick or crying,  
Even when my life's path,  
Full of knots needs untying.

What could I say?  
Your love shines forever,  
Burning in my heart,  
Lighting any stormy weather.

What back, could I give?  
But just words, I love you  
And what back might I ask,  
Knowing you love me too.

Thank you, my Savior,  
You're my real true friend,  
You gave your life for me,  
And on you I can depend.

ChrisRS ©1986  
"All Rights Reserved"

# February

SUNDAY	MONDAY	TUESDAY	WEDNESDAY	THURSDAY	FRIDAY	SATURDAY
						1
2 9:30 Chr Ed 10:30 DW	3	4	5 3:45 Midweek 7:00 Evening Cir	6	7	8
9 9:00 Council Meeting 9:30 Chr Ed 10:30 DW/HC	10	11	12 3:45 Midweek	13	14	15
16 9:30 Chr Ed 10:30 DW/HC 4:00 Installation of Rev Andy Noble	17	18	19 3:45 Midweek	20	21	22
23 9:00 Chr Ed 10:00 DW	24	25	26 3:45 Midweek	27	28	

## USHERS

Dwight Ehlers  
Brian Kraus  
Curtis Ehlers  
Zack Kraus  
Riley Neuman

Randy Neumann  
Jake Kraus  
Dale Lenz  
Ryan Neumann  
Devon Ehlers

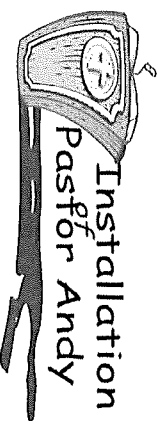
## Chancel Circle

Paulette Von Glan  
Marilyn Mueggenberg  
**Parish Circle**  
Paulette Von Glan  
Marilyn Mueggenberg

## ACOLITES

2/2 Audrey & Dane  
2/9 Lacey & Lane  
2/16 Laynie & Eliza  
2/23 Marissa & Sutton

Sunday, February 16<sup>th</sup> 4:00 pm  
Meal to follow at Arcadia Legion Hall



Zion Lutheran Church  
118 W Tracy St  
Box 59  
Arcadia, IA 51430  
712-689-2441  
zionluth@netins.net

Non-Profit Organization  
Arcadia, IA 51430  
Standard Mail

<i>Friends Who Care</i>	
<i>Christian Education</i>	<i>9:30 am</i>
<i>Divine Worship</i>	<i>10:30 am</i>

FRIENDS ARE  
  
TRUTHFUL  
CARING  
RELIABLE  
HELPFUL  
POLITE  
INTERESTING  
ALWAYS THERE  
FOR YOU.